

## XYT--100G\_CFP2 LR4&ER4

### RoHS Compliant 100Gb/s CFP2 Optical Receiver



#### Product Features

- Supports up to 112Gbps bit rates
- Duplex LC connector
- Hot pluggable
- PIN or APD ROSA
- Operating electrical serial data rate up to 27.952493Gbps
- 4 parallel electrical serial interface
- Applicable for 10km(PIN) or 30km(APD) SMF connection
- Low power consumption, < 3W
- Digital Diagnostic Monitor Interface
- MDIO Communication Interface
- Compliant with 100GBASE-LR4,ER4 and OTU4
- Operating case temperature:  
Commerical:0 to 70 °C

#### Applications

- Local Area Network(LAN)
- Wide Area Network(WAN)
- Switch to router interface

●ITU-T OTU4 OTL4.4

**Standards**

- Compliant with IEEE 802.3ba
- Compliant with CFP2 MSA hardware specifications
- Compliant with CFP2 MSA management specifications
- Compliant with ITU-T G709/Y.1331
- Compliant with RoHS

**Functional Description**

Sharetop’s 100G CFP2 LR4 or ER4 optical receiver integrates the 4 receive paths onto one module. On the receive side, 4 lanes of optical data streams are optically demultiplexed by an integrated optical demultiplexer. Each data stream is recovered by a PIN photodetector or APD and transimpedance amplifier, retimed, and passed on to an output driver. This module features a hot-pluggable electrical interface, low power consumption, and MDIO management interface.

**Functional Diagram**

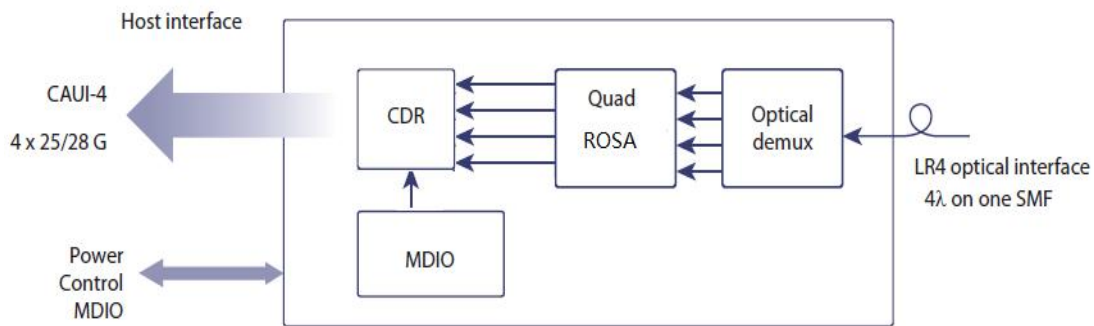


Figure1. CFP2 Rx Block Diagram

**Absolute Maximum Ratings**

Parameter	Symbol	Min.	Max.	Unit	Note
Supply Voltage	Vcc	-0.5	3.6	V	
Storage Temperature	Ts	-40	85	°C	
Relative Humidity	RH	0	85	%	

**Note:** Stress in excess of the maximum absolute ratings can cause permanent damage to the transceiver.

**Recommended Operating Conditions**

Parameter	Symbol	Min.	Typ	Max.	Unit	Note
Data Rate	DR		103.2	112	Gb/s	
Supply Voltage	Vcc	3.14	3.3	3.46	V	
Operating Case Temp.	Tc	0		70	°C	

## Electrical Characteristics

(Tested under recommended operating conditions, unless otherwise noted)

Parameter		Symbol	Unit	Min	Typ	Max	Notes
<b>Voltage Supply Electrical Characteristics</b>							
Supply Current		Icc	A			1	
Power Supply Noise		Vrip				2% DC	1MHz
						3% 1	10MHz
Total Dissipation Power		Pw	W			3	
Low Power Mode Dissipation		Plow	W			2	
Inrush Current	Class1	and	I-inrush	mA/usec		100	
Turn-off Current	Class2						
Inrush Current	Class3	and	I-inrush	mA/usec		200	
Turn-off Current	Class4						
<b>Different Signal Electrical Characteristics</b>							
Single Ended Data Input Swing			mV	20		525	
Single Ended Data Output Swing			mV	180		385	
Differential Signal Output Resistance			Ω	80		120	
Differential Signal Input Resistance			Ω	80		120	
<b>3.3V LVC MOS Electrical Characteristics</b>							
Input High Voltage		3.3VIH	V	2.0		Vcc+0.3	
Input Low Voltage		3.3VIL	V	-0.3		0.8	
Input Leakage Current		3.3IIN	uA	-10		+10	
Output High Voltage (IOH=100uA)		3.3VOH	V	Vcc-0.2			
Output Low Voltage (IOL=100uA)		3.3VOL	V			0.2	
Minimum Pulse Width of Control Pin Signal		t_CNTL	us	100			
<b>1.2V LVC MOS Electrical Characteristics</b>							
Input High Voltage		1.2VIH	V	0.84		1.5	
Input Low Voltage		1.2VIL V	0.3	1.2VIL V		0.36	
Input Leakage Current		1.2IIN	uA	-100		+100	
Output High Voltage		1.2VOH	V	1.0		1.5	
Output Low Voltage		1.2VOL	V	-0.3		0.2	
Output High Current		1.2IOH	mA			-4	
Output Low Current		1.2IOL	mA	+4			
Input Capacitance		Ci	pF			10	

## High Speed Electrical Characteristics

Parameter	Symbol	Unit	Min.	Max.	Notes
Impedance	Zd	Ω	90	110	
Frequency		MHz	161.1328125		1/64 of electrical lane rate
Frequency Stability	Δf	ppm	-100	100	For Ethernet
			-20	20	For Telecom
Differential Voltage	VDIFF	mV	400	900	Peak to Peak Differential

Common mode noise (rms)		mV		17.5	
RMS jitter		ps		10	Random Jitter Over frequency band of 10KHZ<f<10MHZ
Clock Duty Cycle		%	40	60	

## Optical Characteristics

(Tested under recommended operating conditions, unless otherwise noted)

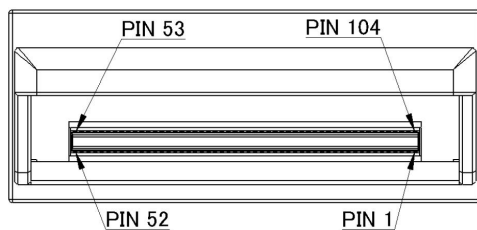
Parameter	Symbol	Unit	Min	Typ	Max	Notes
<b>Optical Receiver Characteristics</b>						
Receive Rate for Each Lane		Gbps		25.78125	27.9525	
Overload Input Optical Power	Pmax	dBm	5.5			3
Average Receive Power for Each Lane	Pin	dBm	-8.6 + Δ		3	4, 5
Receive Power In OMA for Each Lane	PinOMA	dBm			3	
Difference in Receive Power in OMA between Any Two Lanes		dBm				
Receiver Sensitivity in OMA for Each Lane (PIN)	SOMA1	dBm			-8.6	6
Receiver Sensitivity in OMA for Each Lane (APD)	SOMA2	dBm			-16	6
Stressed Receiver Sensitivity in OMA for Each Lane(PIN)		dBm			-6.8	7, 8
Stressed Receiver Sensitivity in OMA for Each Lane(APD)					-13	7, 8

### Notes:

1. The supply current includes CFP2 module's supply current and test board working current.
2. Average launch power, each lane (min) is informative for 100GBase-LR4, not the principal indicator of signal strength.
3. The receiver shall be able to tolerate, without damage, continuous exposure to an optical input signal having this average power level
4. The average receive power, each lane (max) for 100GBASE-ER4 is larger than the 100BASE-ER4 transmitter value to allow compatibility with 100BASE-LR4 units at short distances
5. Average receive power, each lane (min) is informative and not the principal indicator of signal strength. A received power below this value cannot be compliant; however, a value above this does not ensure compliance
6. Receiver sensitivity (OMA), each lane (max) is informative
7. Measured with conformance test signal at TP3 for BER=10<sup>-12</sup>
8. conditions of stressed receiver sensitivity test: vertical eye closure penalty for each lane is 1.8dB; stressed eye J2 jitter for each lane is 0.3UI; stressed eye J9 jitter for each lane is 0.47UI.

## Pin Description

The CFP2 connector has 104 pins which are arranged in Top and Bottom rows. The pin map is shown in Table below:



Bottom		Top	
1	GND	104	GND
2	(TX_MCLKn)	103	N.C.
3	(TX_MCLKp)	102	N.C.
4	GND	101	GND
5	N.C.	100	TX3n
6	N.C.	99	TX3p
7	3.3V_GND	98	GND
8	3.3V_GND	97	TX2n
9	3.3V	96	TX2p
10	3.3V	95	GND
11	3.3V	94	N.C.
12	3.3V	93	N.C.
13	3.3V_GND	92	GND
14	3.3V_GND	91	N.C.
15	VND_IO_A	90	N.C.
16	VND_IO_B	89	GND
17	PRG_CNTL1	88	TX1n
18	PRG_CNTL2	87	TX1p
19	PRG_CNTL3	86	GND
20	PRG_ALRM1	85	TX0n
21	PRG_ALRM2	84	TX0p
22	PRG_ALRM3	83	GND
23	GND	82	N.C.
24	TX_DS	81	N.C.
25	RX_LS	80	GND
26	MOD_LOPWR	79	(REFCLKn)
27	MOD_ABS	78	(REFCLKp)
28	MOD_RSTn	77	GND
29	GLB_ALRMn	76	N.C.
30	GND	75	N.C.
31	MDIO	74	GND
32	MDIO	73	RX3n
33	PRTA_DR0	72	RX3p
34	PRTA_DR1	71	GND
35	PRTA_DR2	70	RX2n
36	VND_IO_C	69	RX2p
37	VND_IO_D	68	GND
38	VND_IO_E	67	N.C.
39	3.3V_GND	66	N.C.
40	3.3V_GND	65	GND
41	3.3V	64	N.C.
42	3.3V	63	N.C.
43	3.3V	62	GND
44	3.3V	61	RX1n
45	3.3V_GND	60	RX1p
46	3.3V_GND	59	GND
47	N.C.	58	RX0n
48	N.C.	57	RX0p
49	GND	56	GND
50	(RX_MCLKn)	55	N.C.
51	(RX_MCLKp)	54	N.C.
52	GND	53	GND

Pin	Name	I/O	Logic	Description
1	GND			
2	(TX_MCLKn)	O	CML	For optical waveform testing. Not for normal use.
3	(TX_MCLKp)	O	CML	For optical waveform testing. Not for normal use.
4	GND			
5	N.C.			No Connect
6	N.C.			
7	3.3V_GND			3.3V Module Supply Voltage Return Ground, can be separate or tied together with Signal Ground
8	3.3V_GND			
9	3.3V			3.3V Module Supply Voltage
10	3.3V			
11	3.3V			
12	3.3V			
13	3.3V_GND			3.3V Module Supply Voltage Return Ground, can be separate or tied together with Signal Ground
14	3.3V_GND			
15	VND_IO_A	I/O		Module Vendor I/O A. Do Not Connect!
16	VND_IO_B	I/O		Module Vendor I/O A. Do Not Connect!
17	PRG_CNTL1	I	LVC MOS w/ PUR	Programmable Control 1 set over MDIO, MSA Default: TRXIC_RSTn, TX & RX ICs reset, "0": reset, "1" or NC: enabled = not used



18	PRG_CNTL2	I	LVC MOS w/ PUR	Programmable Control 2 set over MDIO, MSA Default: Hardware Interlock LSB, "00": ≤3W, "01": ≤6W, "10": ≤9W, "11" or NC: ≤12W = not used
19	PRG_CNTL3	I	LVC MOS w/ PUR	Programmable Control 2 set over MDIO, MSA Default: Hardware Interlock LSB, "00": ≤3W, "01": ≤6W, "10": ≤9W, "11" or NC: ≤12W = not used
20	PRG_ALARM1	O	LVC MOS	Programmable Alarm 1 set over MDIO, MSA Default: HIPWR_ON, "1": module power up completed, "0": module not high powered up
21	PRG_ALARM2	O	LVC MOS	Programmable Alarm 2 set over MDIO, MSA Default: MOD_READY, "1": Ready, "0": not Ready.
22	PRG_ALARM3	O	LVC MOS	Programmable Alarm 3 set over MDIO, MSA Default: MOD_FAULT, fault detected, "1": Fault, "0": No Fault
23	GND			
24	TX_DIS	I	LVC MOS w/ PUR	Transmitter Disable for all lanes, "1" or NC = transmitter disabled, "0" = transmitter enabled.
25	RX_LOS	O	LVC MOS	Receiver Loss of Optical Signal, "1": low optical signal, "0": normal condition
26	MOD_LOPWR	I	LVC MOS w/ PUR	Module Low Power Mode. "1" or NC: module in low power (safe) mode, "0": power-on enabled
27	MOD_ABS	O	GND	Module Absent. "1" or NC: module absent, "0": module present, Pull Up Resistor on Host
28	MOD_RSTn	I	LVC MOS w/ PDR	Module Reset. "0" resets the module, "1" or NC = module enabled, Pull Down Resistor in Module
29	GLB_ALARMn	O	LVC MOS	Global Alarm. "0": alarm condition in any MDIO Alarm register, "1": no alarm condition, Open Drain, Pull Up Resistor on Host
30	GND			
31	MDC	I	1.2VCMOS	Management Data Clock (electrical specs as per IEEE Std 802.3ae-2008 and ba-2010)
32	MDIO	I/O	1.2VCMOS	Management Data I/O bi-directional data (electrical specs as per IEEE Std 802.3ae-2008 and ba-2010)
33	PRTADR0	I	1.2VCMOS	MDIO Physical Port address bit 0
34	PRTADR1	I	1.2VCMOS	MDIO Physical Port address bit 1
35	PRTADR2	I	1.2VCMOS	MDIO Physical Port address bit 2
36	VND_IO_C	I/O		Module Vendor I/O C. Do Not Connect!
37	VND_IO_D	I/O		Module Vendor I/O D. Do Not Connect!
38	VND_IO_E	I/O		Module Vendor I/O E. Do Not Connect!
39	3.3V_GND			
40	3.3V_GND			
41	3.3V			3.3V Module Supply Voltage
42	3.3V			
43	3.3V			
44	3.3V			
45	3.3V_GND			
46	3.3V_GND			
47	N.C			No Connect
48	N.C			
49	GND			
50	(RX_MCLKn)	O	CML	For optical waveform testing. Not for normal use.
51	(RX_MCLKp)	O	CML	
52	GND			
53	GND			
54	N.C.			
55	N.C.			

56	GND			
57	RX0p			25 Gbps receiver data; Lane 0
58	RX0n			25 Gbps receiver data bar; Lane 0
59	GND			
60	RX1p			25 Gbps receiver data; Lane 1
61	RX1n			25 Gbps receiver data bar; Lane 1
62	GND			
63	N.C.			
64	N.C.			
65	GND			
66	N.C.			
67	N.C.			
68	GND			
69	RX2p			25 Gbps receiver data; Lane 2
70	RX2n			25 Gbps receiver data bar; Lane 2
71	GND			
72	RX3p			25 Gbps receiver data; Lane 3
73	RX3n			25 Gbps receiver data bar; Lane 3
74	GND			
75	N.C.			
76	N.C.			
77	GND			
78	(REFCLKp)	CML		Module reference clock. No connect.
79	(REFCLKn)	CML		Module reference clock. No connect.
80	GND			
81	N.C.			
82	N.C.			
83	GND			
84	TX0p			NC
85	TX0n			NC
86	GND			
87	TX1p			NC
88	TX1n			NC
89	GND			
90	N.C.			
91	N.C.			
92	GND			
93	N.C.			
94	N.C.			
95	GND			
96	TX2p			NC
97	TX2n			NC
98	GND			
99	TX3p			NC
100	TX3n			NC
101	GND			

102	N.C.			
103	N.C.			
104	GND			

## Hardware Control Pins

The CFP2 Module support real-time control functions via hardware pins, listed in the following

Pin	Symbol	Description	I/O	Logic	H	L	Pull-up/down
17	PRG_CNTL1	Programmable Control 1 MSA Default: TRXIC_RSTn, TX&RX ICs reset, "0":reset,"1"	I	3.3V LVCMOS	per CFP MSA Management Interface Specification		Pull-Up Note1
18	PRG_CNTL2	Programmable Control 2 MSA Default :Hardware Interlock LSB	I	3.3V LVCMOS			Pull-Up Note1
19	PRG_CNTL3	Programmable Control 3 MSA Default:Hardware Interlock MSB	I	3.3V LVCMOS			Pull-Up Note1
26	MOD_LOPWR	Module Low Power Mode	I	3.3V LVCMOS Low Power Enable Pull-Up	Low Power	Enable	Pull-Up Note1
28	MOD_RSTn	Module Reset(Invert)	I	3.3V LVCMOS	Enable	Reset	Pull-Down Note2

### Notes:

1. Pull-Up resistor (4.7KOhm to 10 KOhm) is located within the CFP2 module
2. Pull-Down resistor (4.7KOhm to 10 kOhm) is located within the CFP2 module

## Hardware Alarm Pins

The CFP2 Module supports alarm hardware pins listed in the following

Pin	Symbol	Description	I/O	Logic	H	L	Pull-up/down
20	PRG_ALARM1	Programmable Alarm 1 MSA Default:HIPWR_ON	O	3.3V LVCMOS	Active High per MDIO document		
21	PRG_ALARM2	Programmable Alarm 2 MSA default:MOD_READY, Ready State has been reached	O	3.3V LVCMOS			
22	PRG_ALARM3	Programmable Alarm 3 MSA Default: MOD_FAULT	O	3.3V LVCMOS			
27	MOD_ABS	Module Absent	O	3.3V LVCMOS	Absent	Present	Pull-Down Note1
25	RX_LOS	Receiver Loss of Signa	O	3.3V LVCMOS	Loss of Signal	OK	

### Note:

- 1.:Pull-Down resistor (<1000Ohm) is located within the CFP2 module. Pull-up should be located on the host

## Management Interface Pins(MDIO)

The CFP2 Module supports alarm, control and monitor functions via an MDIO bus. The CFP2 MDIO pins are listed in the following:

Pin	Symbol	Description	I/O	Logic	H	L	Pull-up/down
29	GLB-ALRMn	Global Alarm	I	3.3V	OK	Alarm	



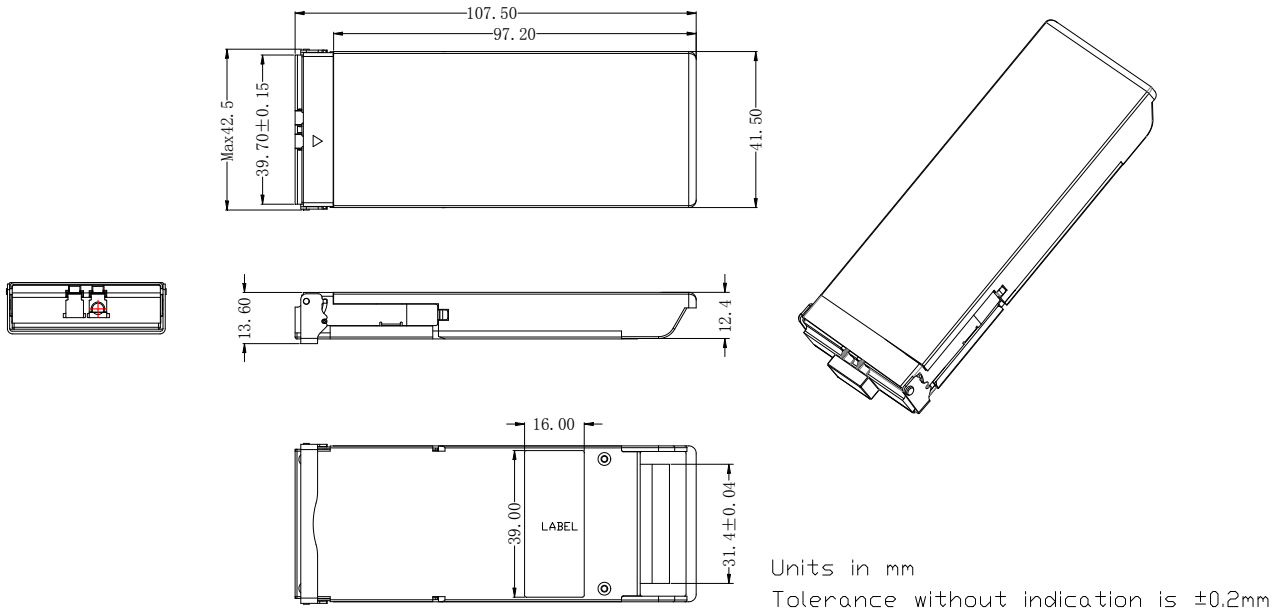
				LVC MOS		
32	MDIO	Management interface bidirectional data	I/O	1.2V LVC MOS		
31	MDC	Management interface clock input	I	1.2V LVC MOS		
33	PRTADR0	MDIO physical port address bit 0	I	1.2V LVC MOS	Per MDIO	
34	PRTADR1	MDIO physical port address bit 1	I	1.2V LVC MOS		
35	PRTADR2	MDIO physical port address bit 2	I	1.2V LVC MOS		

## Hardware Signaling Pin Timing Requirements

Timing Parameters for CFP2 hardware Signal Pins are listed in the following:

Parameter	Symbol	Unit	Min.	Max.	Notes
Hardware MOD_LOPWR assert	t_MOD_LOPWR_assert	ms		1	
Hardware MOD_LOPWR deassert	t_MOD_LOPWR_deassert	s		60	Stored in NVR register 8072h
Management interface clock period	t_prd	ns	250		MDC is 4 MHz rate or less
Host MDIO setup time	t_setup	ns	10		
Host MDIO hold time	t_hold	ns	10		
CFP2 MDIO delay time	t_delay	ns	0	175	
GLB_ALARM assert time	GLB_ALRMn_assert	ms		150	A logic "OR" of associated MDIO alarm and status registers
GLB_ALARM deassert time	GLB_ALRMn_deassert	ms		150	A logic "OR" of associated MDIO alarm and status registers
Minimum pulse width of control pin signal	t_CNTL	μs	100		
Initialization time from reset	t_initialize	s		2.5	
TX_Disable assert time	t_deassert	μs		100	Transmitter disable, application specific
TX_Disable deassert time	t_assert	ms		5	Time from Tx Disable pin deasserted until CFP2 module enters the Tx-turn-on state Stored in NVR register 8073h
RX_LOS assert time	t_loss_assert	μs		100	From occurrence of loss of signal to assertion of RX_LOS
RX_LOS deassert time	t_loss_deassert	μs		100	From occurrence of return of signal to deassert of RX_LOS

## Package Dimensions



## Ordering Information

Part Number	Description
XYT--100G_CFP2-LR4	CFP2 100G LR4,PIN Receiver 0~70°C
XYT--100G_CFP2-ER4	CFP2 100G ER4,APD Receiver 0~70°C